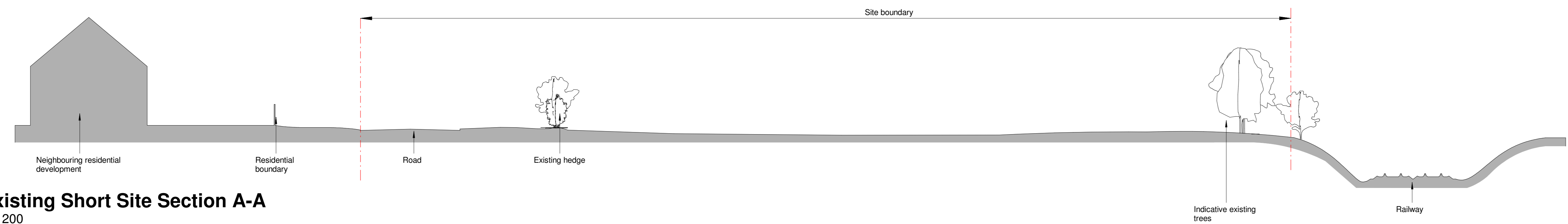
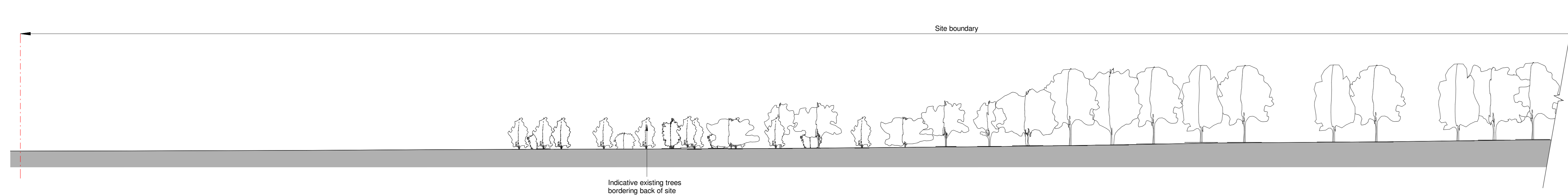


This drawing is a copyright and no portion should be used without consent. No dimensions are to be scaled off this drawing. All dimensions to be verified on site.

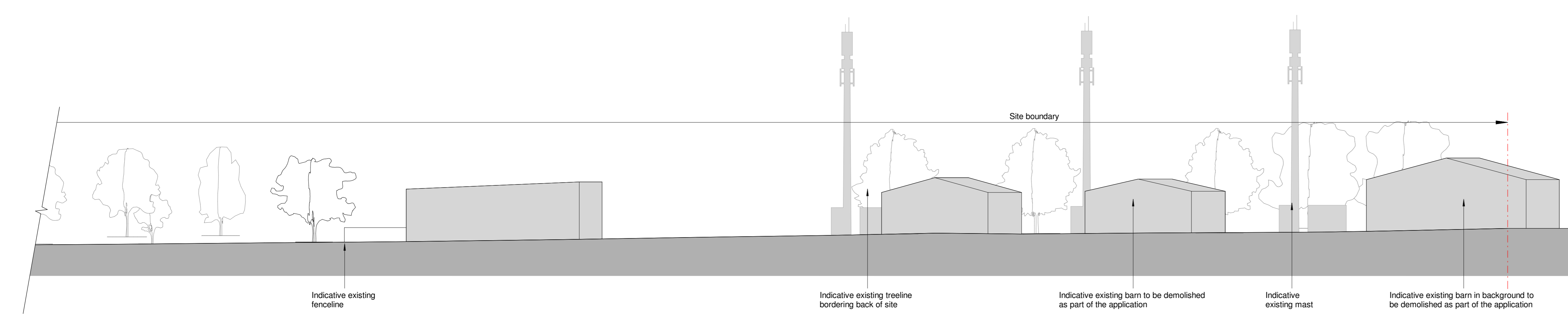
General Notes



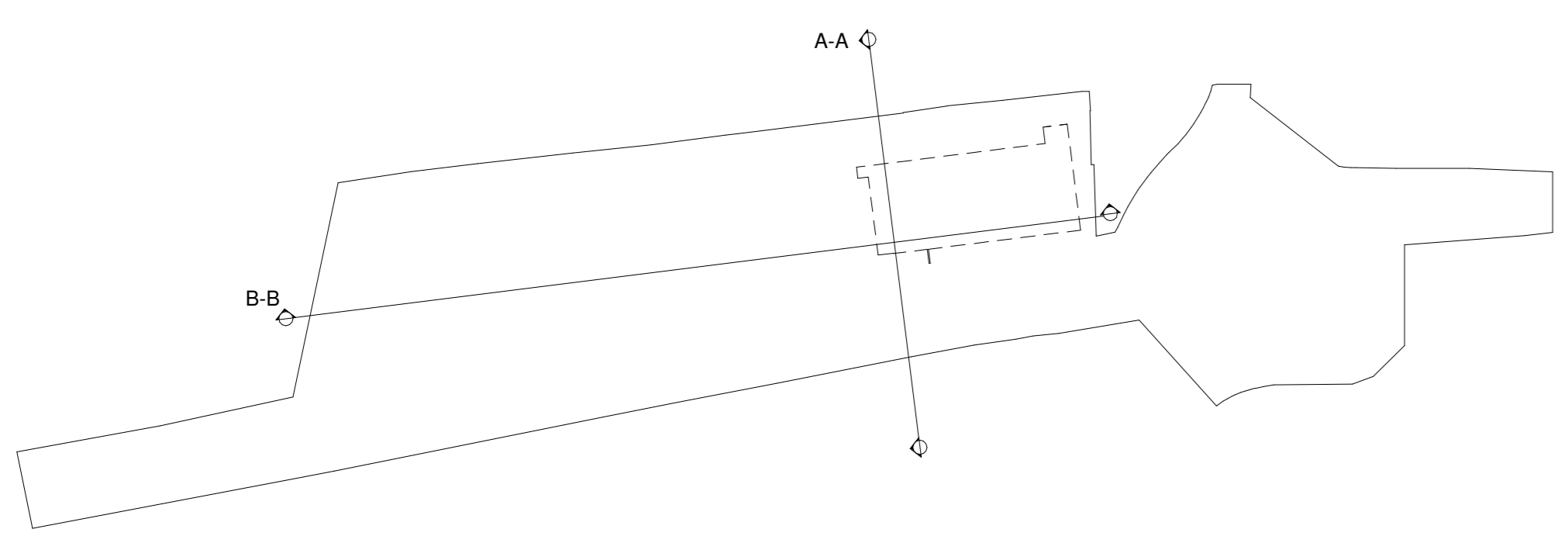
Existing Short Site Section A-A  
1 : 200



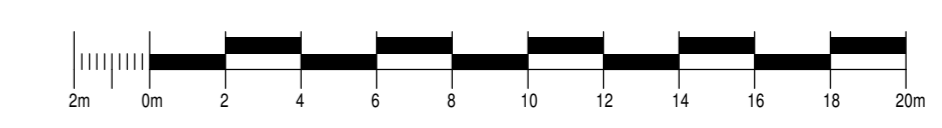
Existing Long Site Section B-B 1 of 2  
1 : 200



Existing Long Site Section B-B 2 of 2  
1 : 200



Existing Section Locations  
1 : 2000



Rev.	Description	By	Date
01	First issue	DF	..

**SIMONS**  
DESIGN  
991 Doddington Road  
Lincoln, East Midlands, LN6 3AA  
Tel: 01522 505000 - www.simons.design

Client  
Simons Developments

Project Name and Address  
Proposed LIDL Store  
Thanet Way, Herne Bay

Drawing Title  
Existing Site Sections

Drawing Status  
**ISSUED FOR PLANNING**

Scale	Date	Drawn	Project Lead
1:200@A0	10-2018	DF	SJD

Project No.	Originator	Zone	Level	Type	Size	Drawing No.	Rev
5784	SD	XX	XX	S	A	0301	01